

## Heavy Power Tip Site Dumpers

<b>PAYLOAD</b>	9000 kg / 10000 kg
<b>GROSS ENGINE POWER</b>	74.5 kW (99 hp)
<b>MAX SKIP CAPACITIES</b>	4560 Litres / 5050 Litres



- True Operating Capacities of 9 and 10 tonnes.
- Large heaped skip capacities of 4560 and 5050 litres.
- “Rental Tough” designs and fabrications to keep you working in the toughest of conditions.
- 8mm thick steel skip base plate with reinforced box sections for high strength and longevity.
- Exceptional service access and ease of maintenance built into every machine.
- High ground clearance, low centre of gravity for superb stability and site accessibility.
- Powershuttle transmissions for ease of use and operator comfort.
- Powerful, reliable and economical Cummins engine.

### Technical Data

	PT9000	PT10000
Payload (kg)	9000	10000
Unladen Weight (kg)	4880	5300
Skip Capacity - Water (ltr)	2360	2490
- Struck (ltr)	4065	4140
- Heaped (ltr)	4560	5050
Engine	Cummins 4B4.5T	
- Net Power - kW (hp)	74.5 (99.0) @ 2200 RPM	
- Capacity	4.5 litres	
- Maximum Torque	414 Nm	
Tyre Size	500/60x22.5x16ply High Floatation	
Drive	4/4 Powershuttle with Torque Converter - permanent 4WD	
Max Travel Speed - mph (kph)	17.4 (28.0)	17.4 (28.0)
Gradeability	20%	20%
Fuel Tank Capacity	64 litres	64 litres
Hydraulic Tank Capacity	51 litres	51 litres

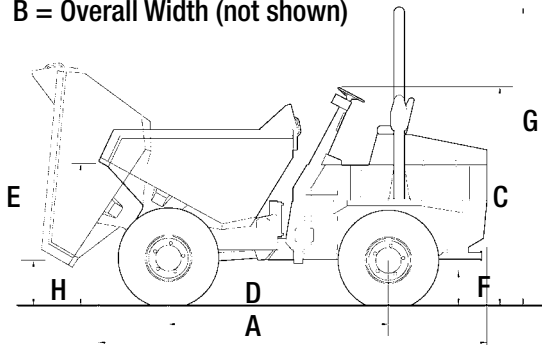
HEAVY POWER TIP SITE  
**DUMPERS**

Power Tip Site Dumpers

# PT9000 / PT10000

## Dimensions

B = Overall Width (not shown)



Dimensions (mm)		PT9000	PT10000
A	Total Length	4330	4420
B	Total Width (not shown)	2500	2550
C	Height to Top of Steering Wheel	2530	2630
D	Wheelbase	2450	2450
E	Height to Front Lip of Skip (untipped)	1722	1760
F	Ground Clearance	410	410
G	Height to Top of ROPS (raised)	3342	3375
H	Height to Front Lip of Skip (tipped)	430	440
	Turning Radius to Outside of Skip	6000 mm	6017 mm
	Steering Angle	+/- 30°	+/- 30°
	Oscillation	+/- 10°	+/- 10°

## Hydraulic System (Gear Pump)

	PT9000	PT10000
Flow rate	60 l/min	60 l/min
Operating Pressure	172 bar	200 bar

## Braking System

	PT9000	PT10000
Working Brake	Foot brake - oil immersed discs on front/rear	
Parking Brake	Ratchet parking brake - dry disc (gearbox)	Over centre parking brake - dry disc (gearbox)

## Standard Equipment & Options

	PT9000	PT10000
Folding ROPS Frame	Standard	Standard
Reversing Alarm	Standard	Standard
Flashing Beacon	Standard	Standard
Towing Bracket	Standard	Standard
Site Lights	Option	Option
Road Lights (RTA)	Option	Option
Rear View Mirror	Option	Option
Grassland Tyres	Option	n/a

## Electrical System

	PT9000	PT10000
Voltage	12 V	12V
Battery	100 Ah	100 Ah
Alternator	95 A	95 A

Dealer



TEREX Construction  
Central Boulevard, ProLogis Park,  
Coventry, England CV6 4BX

PHONE ++44 (0) 2476 339400  
FAX ++44 (0) 2476 339500  
EMAIL enquiries@terexce.com  
WEB www.terexce.com

[www.terex.com](http://www.terex.com)

For further information, please contact your local distributor or the Terex sales office listed. Terex pursues a policy of continuous development for its products. Product specifications are subject to change without notice or obligation. The photographs and drawings in this brochure are for illustrative purposes only. Refer to the appropriate Operator's Manual for instructions on the proper use of this equipment. Failure to follow the appropriate Operator's Manual when using our equipment or to otherwise act irresponsibly may result in serious injury or death. Prices and specifications subject to change without notice. The only warranty applicable is the standard written warranty applicable to the particular product and sale. Terex makes no other warranties, whether expressed or implied. Products and services listed may be trademarks, service marks or trade-names of Terex Corporation and/or its subsidiaries in the USA and other countries and all rights are reserved. "Terex" is a Registered Trademark of Terex Corporation in the USA and many other countries. Copyright ©09.2006 Terex Corporation

DS PT910 0107-EN



Printed on material using 55% recycled fibre from both pre and post-consumer sources, together with 45% virgin ECF fibre from sustainable forests.