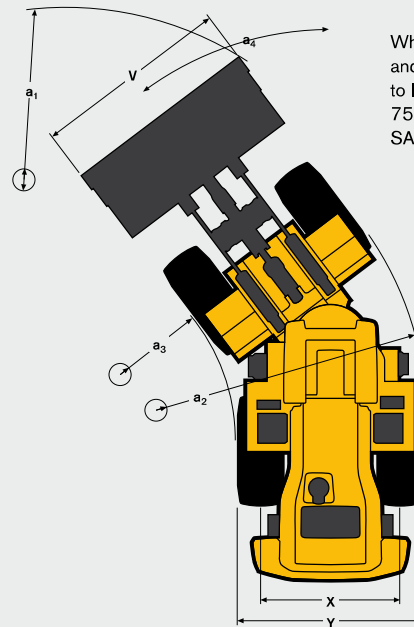
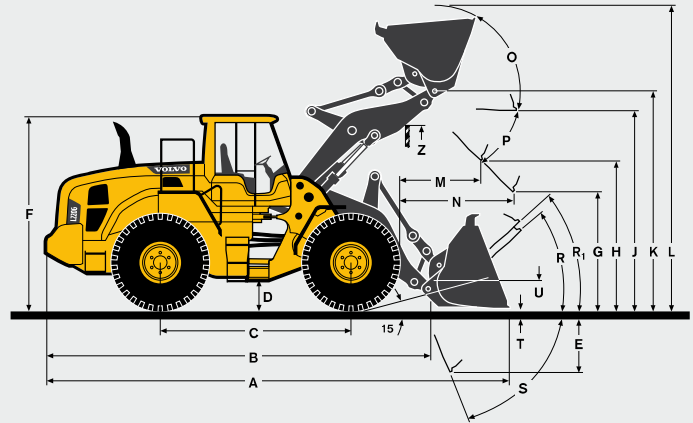


SPECIFICATIONS.

Tires L150G, L180G: 26.5 R25 L3. Tires L220G: 29.5 R25 L4

		Standard boom			Long boom		
		L150G	L180G	L220G	L150G	L180G	L220G
B	mm	7 070	7 190	7 480	7 570	7 620	7 800
C	mm	3 550	3 550	3 700	3 550	3 550	3 700
D	mm	470	480	540	460	480	540
F	mm	3 570	3 580	3 740	3 560	3 580	3 740
G	mm	2 134	2 134	2 131	2 134	2 133	2 133
J	mm	3 910	4 050	4 240	4 480	4 540	4 600
K	mm	4 320	4 470	4 670	4 890	4 960	5 030
O	°	58	57	56	59	55	56
P _{max}	°	50	49	48	49	49	48
R	°	45	45	43	48	49	44
R ₁ ⁺	°	48	48	47	53	53	49
S	°	66	71	65	61	63	63
T	mm	106	140	111	161	223	117
U	mm	510	550	590	630	650	670
X	mm	2 280	2 280	2 400	2 280	2 280	2 400
Y	mm	2 960	2 960	3 170	2 960	2 960	3 170
Z	mm	3 490	3 810	4 060	3 950	4 170	4 390
a ₂	mm	6 780	6 780	7 110	6 780	6 780	7 110
a ₃	mm	3 830	3 830	3 940	3 830	3 830	3 940
a ₄	±°	37	37	37	37	37	37

* Carry position SAE



Where applicable, specifications and dimensions are according to ISO 7131, SAE J732, ISO 7546, SAE J742, ISO 14397, SAE J818.

- L150G** Sales code: WLA80713
Operating weight (incl. logging cw 1 140 kg): 25 660 kg
Operating load: 7 700 kg
- L180G** Sales code: WLA80027
Operating weight (incl. logging cw 1 140 kg): 28 470 kg
Operating load: 8 710 kg
- L220G** Sales code: WLA80852
Operating weight (incl. logging cw 870 kg): 32 810 kg
Operating load: 10 080 kg

Tires L150G, L180G: 775/65 R29 L3
Tires L220G: 875/65 R29 L4

		L150G	L180G	L220G
A	m ²	3.1	3.5	4.0
B	mm	3 660	3 870	3 920
C	mm	2 110	2 150	2 270
D	mm	2 960	3 150	3 160
E	mm	1 650	1 720	1 780
F	mm	1 630	1 700	1 640
G	mm	2 930	3 040	3 230
H	mm	4 990	5 170	5 350
I	mm	7 270	7 610	7 730
J	mm	3 080	3 370	3 620
K	mm	3 340	3 710	3 940
L	mm	2 290	2 410	2 630
M	mm	9 680	9 980	10 380

